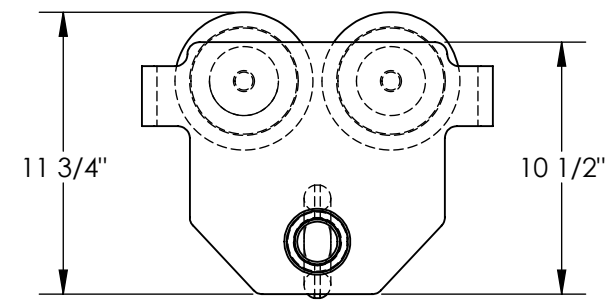
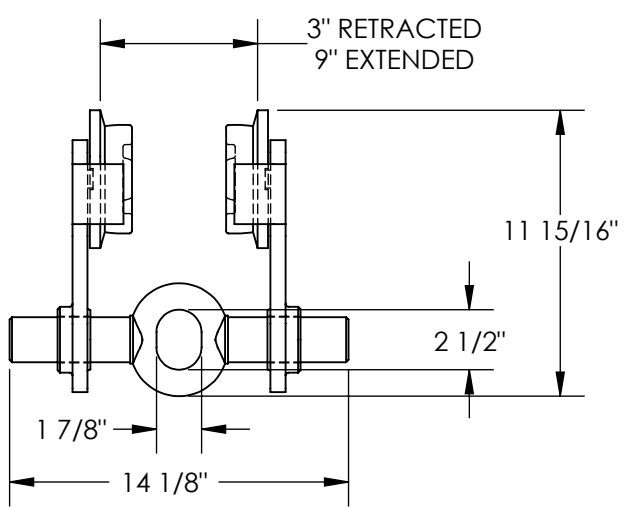
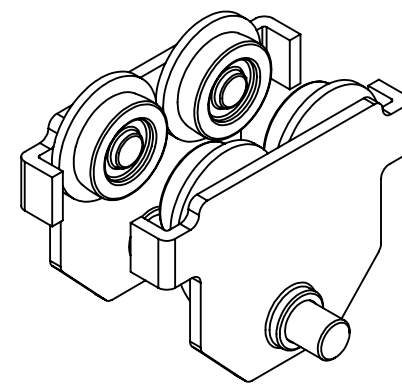
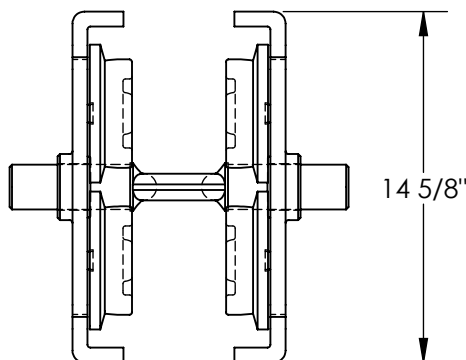


PUSH EYE MANUAL TROLLEY - E-MT-8

APPROX WEIGHT: 88.37 lbs.
DOES NOT INCLUDE WEIGHT OF POWER OR PACKAGING!!!

*** ANY ADDITIONS, DELETIONS, OR OMISSIONS MUST BE CORRECTED ON THIS DRAWING AS THIS DRAWING WILL BE CONSIDERED ALL INCLUSIVE ***

ALL GRAPHICS PROVIDED ARE FOR REFERENCE ONLY. IF CERTAIN DIMENSIONS ARE CRITICAL PLEASE VERIFY THOSE DIMENSIONS WITH YOUR SALESPERSON



DIMENSION TOLERANCE ± 1/4"

STANDARD FEATURES

- MODEL NUMBER IS E-MT-8
- OVERALL WIDTH IS: 14 1/8"
- OVERALL LENGTH IS: 14 5/8"
- OVERALL HEIGHT IS: 11 15/16"
- PUSH LOW PROFILE
- EYE MANUAL TROLLEY
- HEADROOM: 4"
- FITS FLANGE WIDTH OF 3" TO 9"
- UNIFORM CAPACITY IS: 8,000 LBS.
- STEEL CONSTRUCTION WITH PAINTED FINISH
- TROLLEY WIDTH IS ADJUSTABLE BY ROTATING CENTER ROD

NOTE:
CAN BE USED ON S, H, W, & M TYPE I-BEAMS

SPECIAL FEATURES

NONE

FOR INTERNAL USE ONLY PROJECT SIGN OFF	
SALES	
ENG.	
FAB.	
POWER	

APPROVAL

I, THE UNDERSIGNED, AGREE THAT THE PRODUCT AS REPRESENTED SATISFIES DESIGN AND DIMENSION REQUIREMENTS. I ALSO ACKNOWLEDGE MY DUTY TO CONFIRM PRODUCT AND INSTALLATION COMPLIANCE WITH ALL APPLICABLE FEDERAL, STATE AND LOCAL REGULATIONS AND STANDARDS.

ANY MODIFIED UNITS ARE NON-RETURNABLE

As drawn As marked

Signed: _____ Date: _____

Printed Name: _____

LEAD TIME WILL START UPON RECEIPT OF SIGNED APPROVAL DRAWING

DISTRIBUTOR'S NAME:		P.O.#
VESTIL MANUFACTURING		X
DRAWN BY: T. MOORE		DATE: 12/14/09
REFERENCE: X		SCALE: 1:8
QUOTED LEAD TIME: X		QUOTE #
		X
		FILE NAME:
		30-007-133